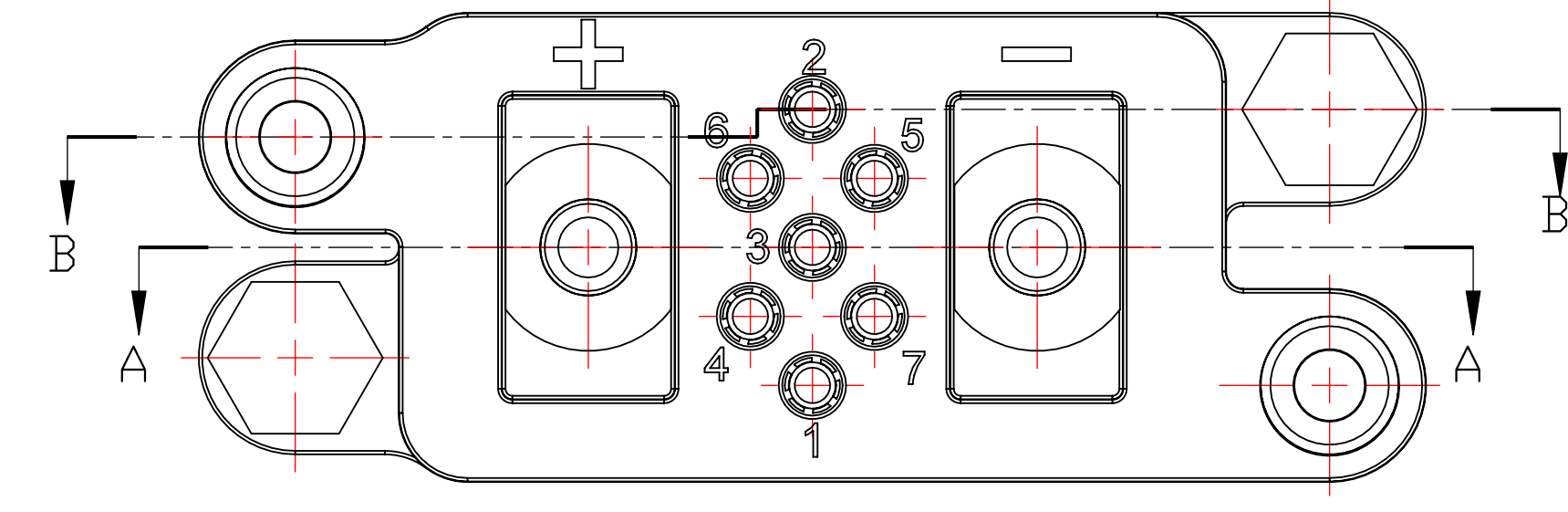
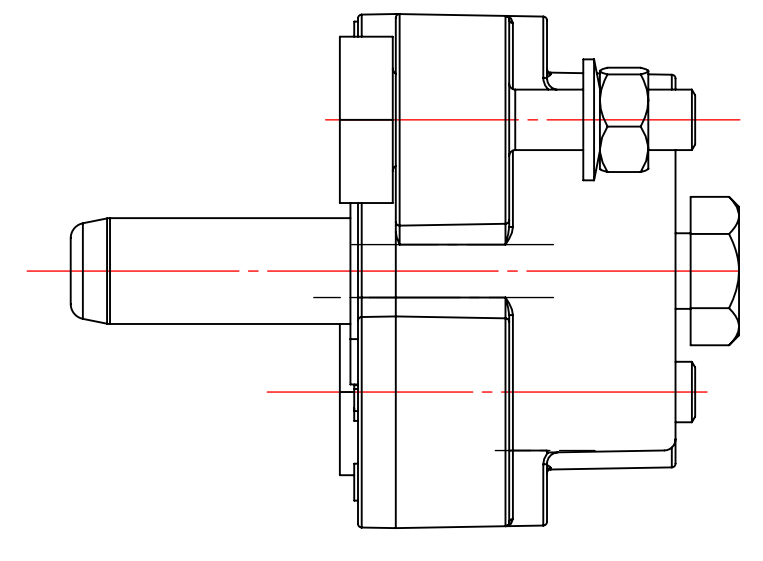
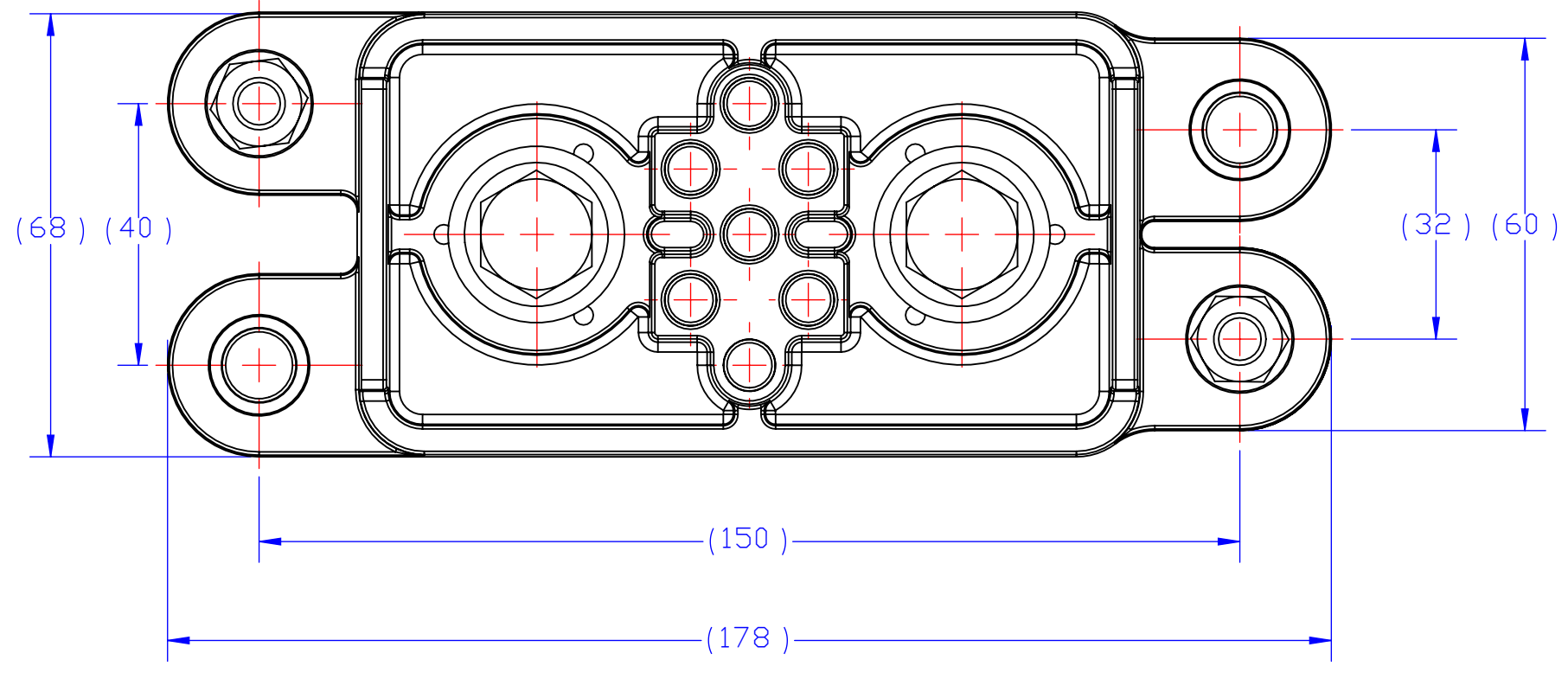
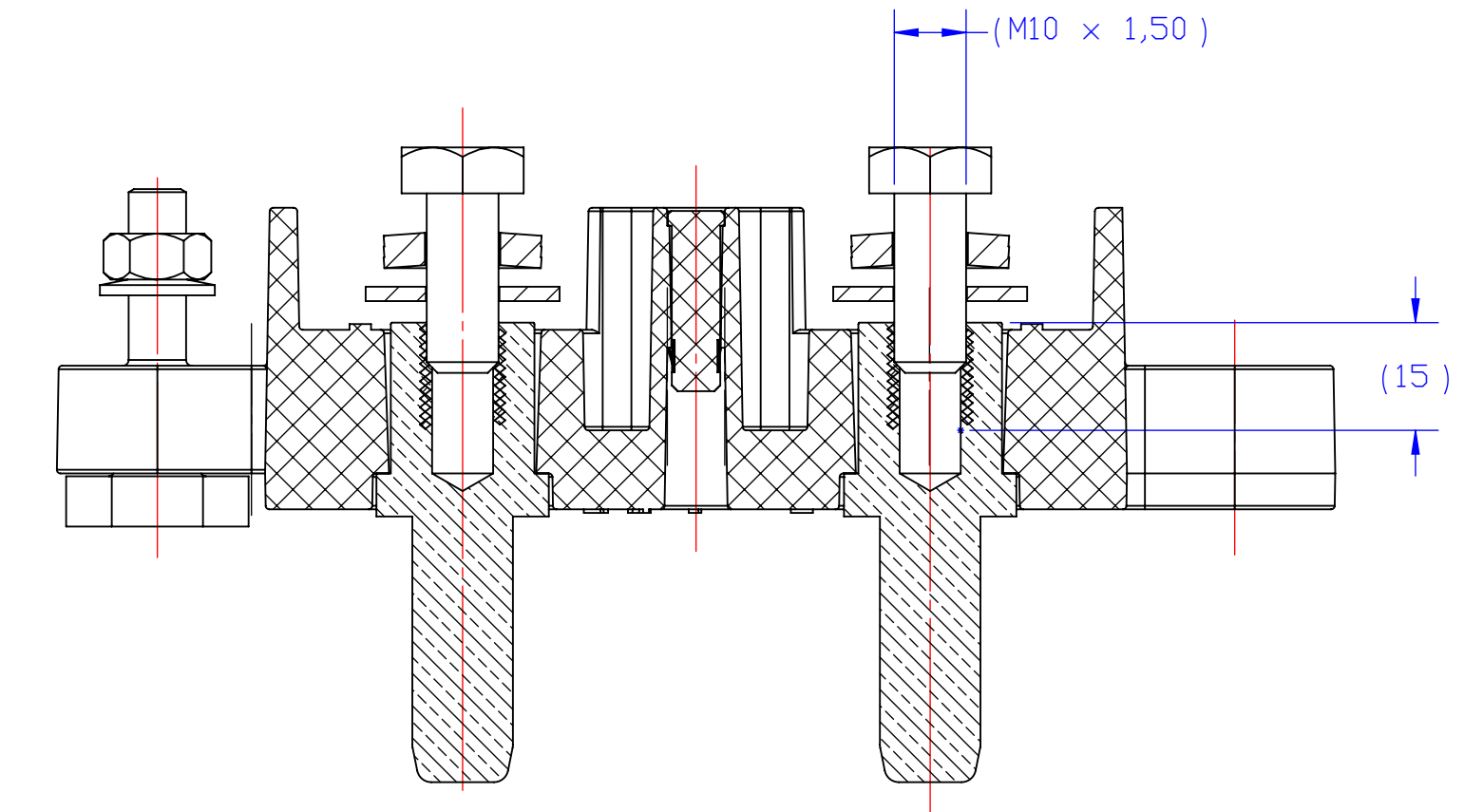
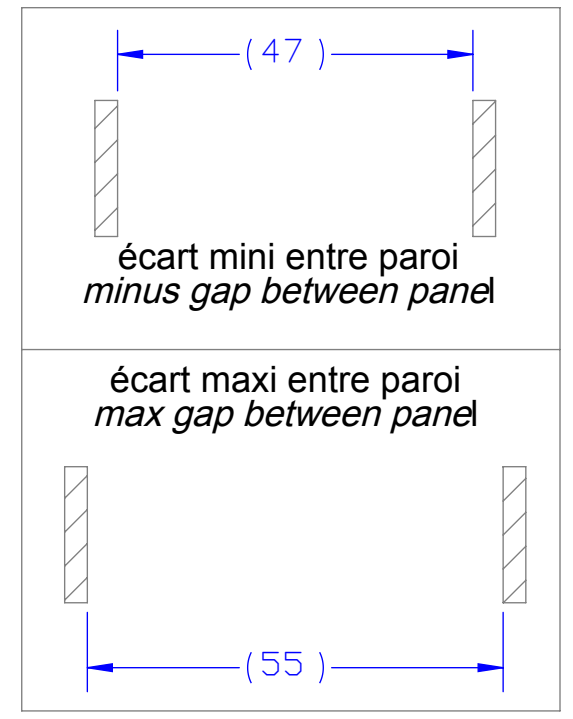
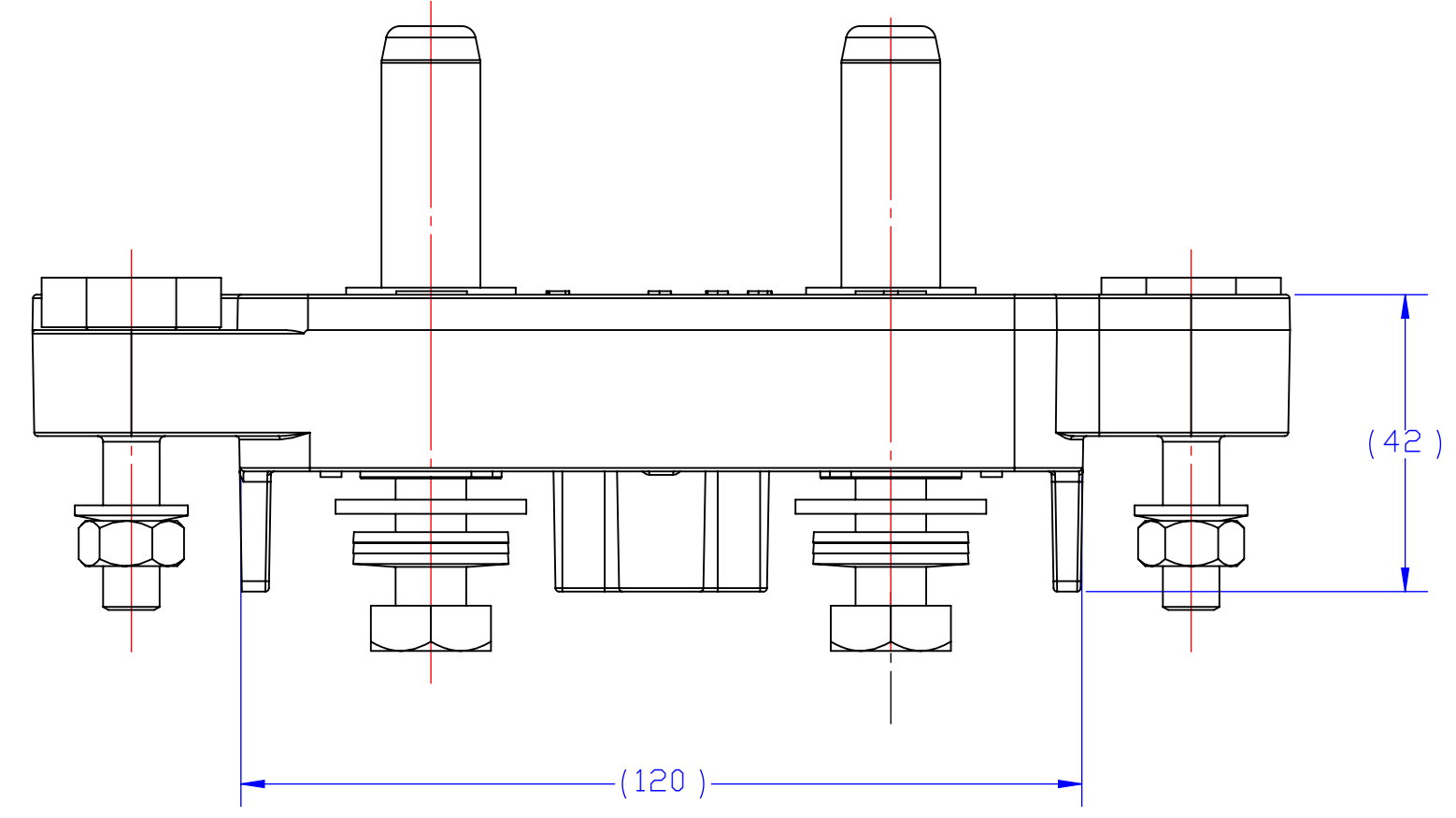


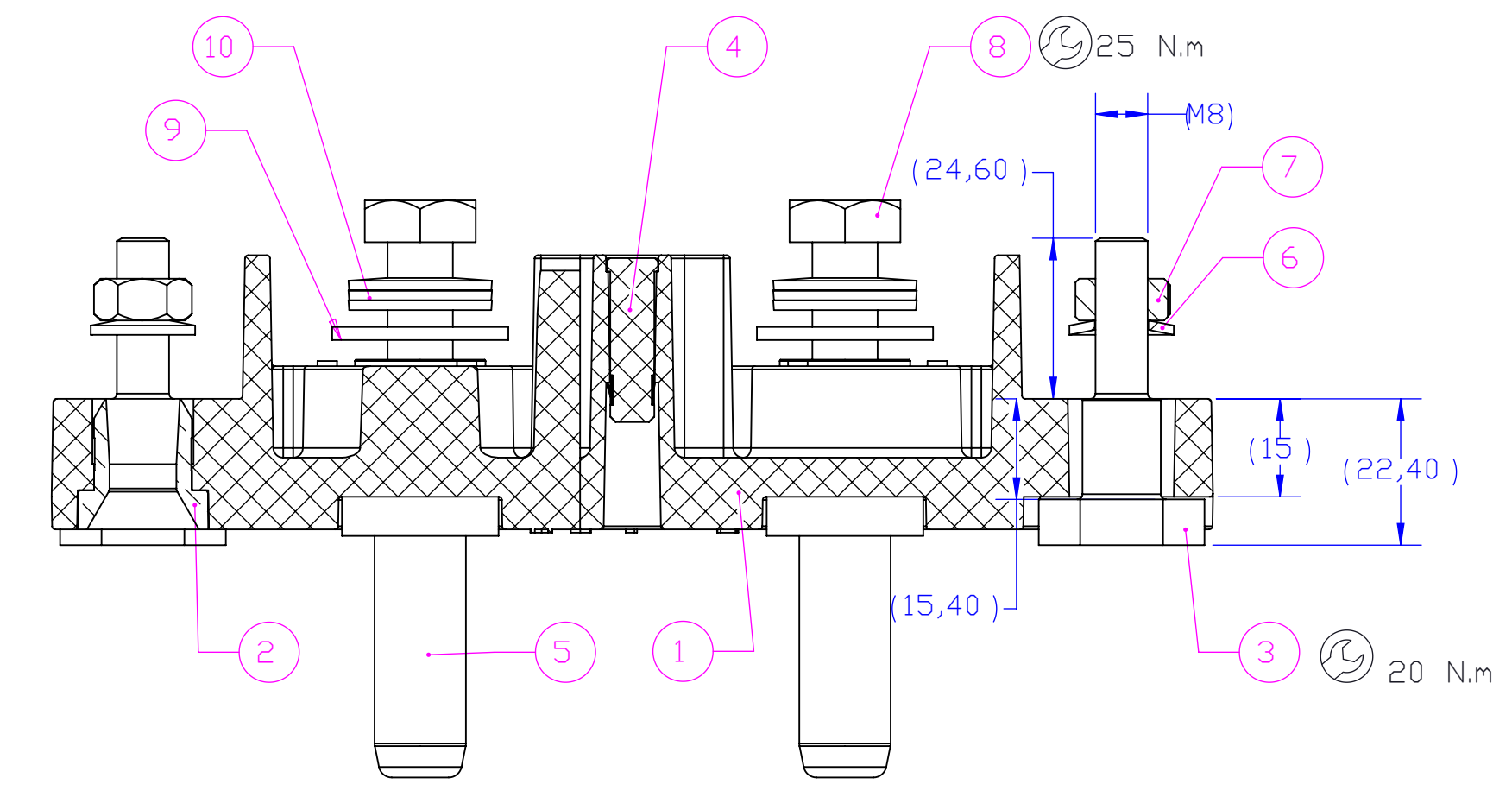
Project NR		REVISIONS			
P	LTR	DESCRIPTION	DATE	BY	APPR
C		Remplacer rondelle 0436-0008-E-I - Z par 0436-0008-E-I - Dif 295176	03MAR2009	RD	
D		S15752-0004 devient Y00000-S15752-0004 DM350039 - Diffusion 331453	03DEC2015	EL	MV
E		Ajout item 11 + ajout nota 4 DM16-120 - Diffusion 331939	30SEP2016	EL	MV



- 1 ( ) : cotes pour information / dimensions for information  
 ( ) : cotes de controle / inspection dimensions
- 2 Instructions de mise en oeuvre à appliquer par le client  
 Customer instructions to be applied by the customer
- 3 Outil d'extraction des bouchons  
 Extraction tool for the caps : OUTCCIEXT-0D100
- 4 Spécification de conditionnement 107-157002  
 Packaging Specification 107-157002

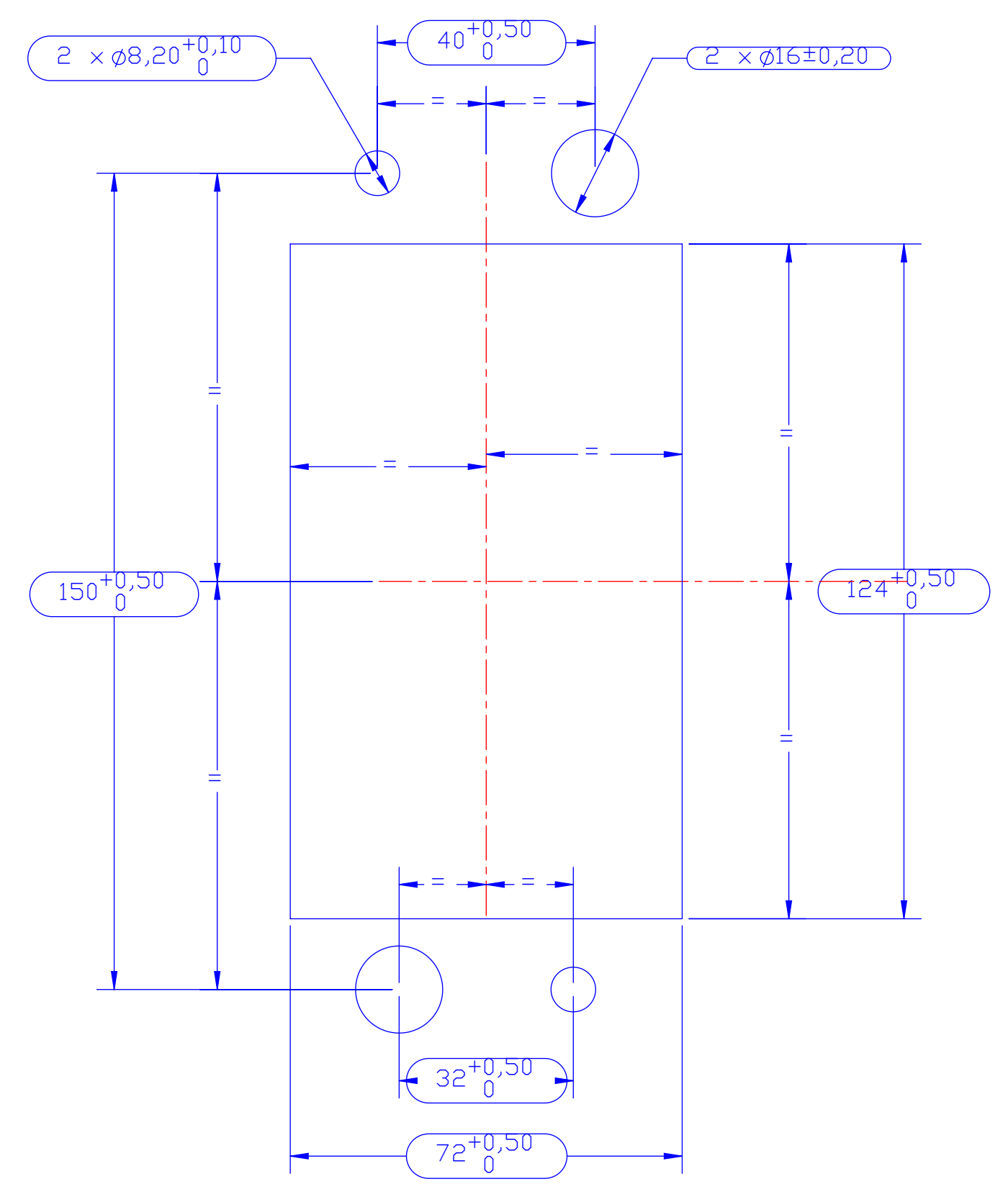


COUPE A-A



COUPE B-B

DECOUPE PAROI POUR PARTIE FLOTTANTE  
 PANEL CUTTING FOR FLOATING PART



Observations/Remarks	Protection Plating	Fiche matière Data sheet	Matière Material	Masse (g) Weight (g)	Nbr Qty	Codification Part number	Désignation Designation	REP Item
-	-	-	Carton Carton	18,9	1	Y00000-0206-0341AS	Boite 180x100x50 Box 180x100x50	11
-	-	-	Inox Stainless steel	1,31	2	3L-10-I	Rondelle Trep Trep washer	10
-	-	-	Inox Stainless steel	7,74	2	LU-10-I	Rondelle plate Plain washer	9
-	-	-	Inox Stainless steel	27,84	2	HM10x25-I	Vis H Screw H	8
-	-	-	Inox Stainless steel	5,53	2	HM08-I	Ecrou HM8 Nut H	7
-	-	-	Inox Stainless steel	1,8	2	0436-0008-E-I	Rondelle contact Washer	6
-	Argenture Silver plating	-	Cuivre Copper	134,2	2	Y00000-S15752-0004	S/E Broche cal. 14 S/A pin caliber 14	5
-	-	-	-	3,01	7	s23611-0003	Bouchon Cap	4
-	-	-	Inox stainless steel	46,74	2	23610-000A3	Vis de fixation flottante Screw	3
-	-	-	Bronze bronze	2,07	2	23609-000A3	Douille de guidage Centering bushing	2
-	-	-	Polyamide Polyamide	304,21	1	31344-000A1	Bloc isolant insulating block	1

Référence commerciale / Commercial reference : CSR31343-0001-A0001

YE31343-0001-A0001  
 PART NO

THIS DRAWING IS A CONTROLLED DOCUMENT.

DATE: 03DEC2015  
 CHK: GLEMOINE  
 APPR: M. VIMARD

TE Connectivity

NAME: S/E connecteur rackable mâle partie flottante cal14  
 S/A male rack connector floating part cal14

PRODUCT SPEC: -  
 APPLICATION SPEC: -

SIZE: A1  
 CAGE CODE: -  
 DRAWING NO: -  
 DRAWING NO: E-31343-0001-A0001

WEIGHT: 779.74 g

CUSTOMER DRAWING

SCALE: 1:1  
 SHEET: 1 OF 1  
 REV: E